

# Schaltnetzteil 192 W - 240,3W

# power supply 192 W - 240,3 W



- Features :
  - Universal AC input / Full range
  - Protections: Short circuit / Overload / Over voltage / Over temperature
  - Built-in active PFC function
  - Cooling by free air convection
  - OCP point adjustable through output cable or internal potential meter
  - Suitable for LED lighting and moving sign applications
  - IP67 / IP65 design for indoor or outdoor installations
  - Damp, wet location outdoor application
  - Compliance to worldwide safety regulations for lighting
  - 3 years warranty



HLG-240-12 [A] Blank : IP67 rated. Cable for I/O connection. (Optional)  
 A : IP65 rated. Output voltage and constant current level can be adjusted through internal potential meter.  
 B : IP67 rated. Constant current level adjustable through output cable (Optional)  
 C : Terminal block for I/O connection. Output voltage and constant current level can be adjusted through internal potential meter. (Optional)

## SPECIFICATION

MODEL	HLG-240-12	HLG-240-15	HLG-240-20	HLG-240-24	HLG-240-30	HLG-240-36	HLG-240-42	HLG-240-48	HLG-240-54	
OUTPUT	DC VOLTAGE	12V	15V	20V	24V	30V	36V	42V	48V	54V
	CONSTANT CURRENT REGION Note.4	6 ~ 12V	7.5 ~ 15V	10 ~ 20V	12 ~ 24V	15 ~ 30V	18 ~ 36V	21 ~ 42V	24 ~ 48V	27 ~ 54V
	RATED CURRENT	16A	15A	12A	10A	8A	6.7A	5.72A	5A	4.45A
	RATED POWER	192W	225W	240W	240W	240W	241.2W	240.2W	240W	240.3W
	RIPPLE & NOISE (max.) Note.2	150mVp-p	150mVp-p	150mVp-p	150mVp-p	200mVp-p	200mVp-p	200mVp-p	200mVp-p	350mVp-p
	VOLTAGE ADJ. RANGE Note.6	11.2 ~ 12.8V	14 ~ 16V	18.6 ~ 21.4V	22.4 ~ 25.6V	28 ~ 32V	33.5 ~ 38.5V	39 ~ 45V	44.8 ~ 51.2V	50 ~ 57V
	CURRENT ADJ. RANGE	Can be adjusted by internal potential meter or through output cable								
		8 ~ 16A	7.5 ~ 15A	6 ~ 12A	5 ~ 10A	4 ~ 8A	3.3 ~ 6.7A	2.86 ~ 5.72A	2.5 ~ 5A	2.23 ~ 4.45A
	VOLTAGE TOLERANCE Note.3	±2.5%	±2.0%	±1.0%	±1.0%	±1.0%	±1.0%	±1.0%	±1.0%	±1.0%
	LINE REGULATION	±0.5%	±0.5%	±0.5%	±0.5%	±0.5%	±0.5%	±0.5%	±0.5%	±0.5%
LOAD REGULATION	±2.0%	±1.5%	±0.5%	±0.5%	±0.5%	±0.5%	±0.5%	±0.5%	±0.5%	
SETUP, RISE TIME Note.9	2500ms, 50ms at full load 230VAC /115VAC									
HOLD UP TIME (Typ.)	12ms at full load 230VAC /115VAC									
INPUT	VOLTAGE RANGE Note.5	90 ~ 264VAC		127 ~ 373VDC						
	FREQUENCY RANGE	47 ~ 63Hz								
	POWER FACTOR	PF ≥ 0.95/230VAC			PF ≥ 0.98/115VAC at full load and rated output voltage			PF ≥ 0.9 at 65 ~ 100% load		
	EFFICIENCY (Typ.)	90%	90%	92%	93%	93%	94%	94%	94%	94%
	AC CURRENT	4A / 115VAC		2A / 230VAC						
	INRUSH CURRENT (Typ.)	COLD START 75A/230VAC								
LEAKAGE CURRENT	<0.75mA / 240VAC									
PROTECTION	OVER CURRENT Note.4	95 ~ 108%								
	SHORT CIRCUIT Note.7	Protection type : Constant current limiting, recovers automatically after fault condition is removed								
	OVER VOLTAGE	13.5 ~ 16V	16.5 ~ 19.5V	23 ~ 27V	27 ~ 34V	32.5 ~ 36.5V	40 ~ 48V	46 ~ 54V	53 ~ 62V	59 ~ 70V
	OVER TEMPERATURE	105°C±5°C (TSW1) Protection type : Shut down o/p voltage, recovers automatically after temperature goes down								
ENVIRONMENT	WORKING TEMP.	-30 ~ +55°C@ full load ; +70°C@ 60% load (Refer to derating curve)								
	WORKING HUMIDITY	20 ~ 95% RH non-condensing								
	STORAGE TEMP., HUMIDITY	-40 ~ +80°C, 10 ~ 95% RH								
	TEMP. COEFFICIENT	±0.03%/°C (0 ~ 50°C)								
SAFETY & EMC	VIBRATION	10 ~ 500Hz, 5G 12min./1cycle, period for 72min. each along X, Y, Z axes								
	SAFETY STANDARDS Note.8	UI1012 ; EN61347-1, EN61347-2-13 independent (except for HLG-240 C tpe) ; UL60950-1, TUV EN60950-1								
	WITHSTAND VOLTAGE	I/P-O/P: 3.75KVAC I/P-FG: 1.88KVAC O/P-FG: 0.5KVAC								
	ISOLATION RESISTANCE	I/P-O/P, I/P-FG, O/P-FG: 100M Ohms / 500VDC / 25°C/ 70% RH								
	EMI CONDUCTION & RADIATION	Compliance to EN55015, EN55022 (CISPR22) Class B								
	HARMONIC CURRENT	Compliance to EN61000-3-2 Class C (≥ 50% load) ; EN61000-3-3								
OTHERS	EMS IMMUNITY	Compliance to EN61000-4-2, 3, 4, 5, 6, 8, 11 ; ENV50204, EN61547, E 55024, heavy industry level (surge 4KV), criteria A								
	MTBF	207.9Khrs min. MIL-HDBK-217F (25°C)								
	DIMENSION	244.2*68*38.8mm (L*W*H)(HLG-240-Blank/A/B) 251*68*38.8mm(L*W*H)(HLG-240-C)								
PACKING	1.3Kg; 12pcs/16.6Kg/0.74CUFT(HLG-240-Blank/A/B)									
NOTE	1. All parameters NOT specially mentioned are measured at 230VAC input, rated load and 25°C of ambient temperature 2. Ripple & noise are measured at 20MHz of bandwidth by using a 12" twisted pair-wire terminated with a 0,1µf & 47µf parallel capacitor. 3. Tolerance : includes set up tolerance, line regulation and load regulation 4. Constant current operation region is within 50% ~ 100% rated output voltage. This is the suitable operation region for LED related applications, but please reconfirm special electrical requirements for some specific system design 5. Derating may be needed under low input voltages. Please check the derating curve for more details. 6. Type A and type C only. 7. Please refer to OLP characteristics. 8. Safety and EMC design refer to EN60598-1, subject 8750(UL), CNS15233, GB7000.1, FCC part18. 9. Length of set up time is measured at cold first start. Turning ON/OFF the power supply may lead to increase of the set up time									

Tauscher Transformatorenfabrik GmbH  
 Gewerbegebiet Neureut  
 D - 94078 Freyung

Tel.: +49 (0) 8551/91696-0  
 Fax: +49 (0) 8551/91696-198

E-Mail: info@tauscher.com  
 Internet: www.tauscher.com

# Schaltnetzteil

## 192 W - 240,3W

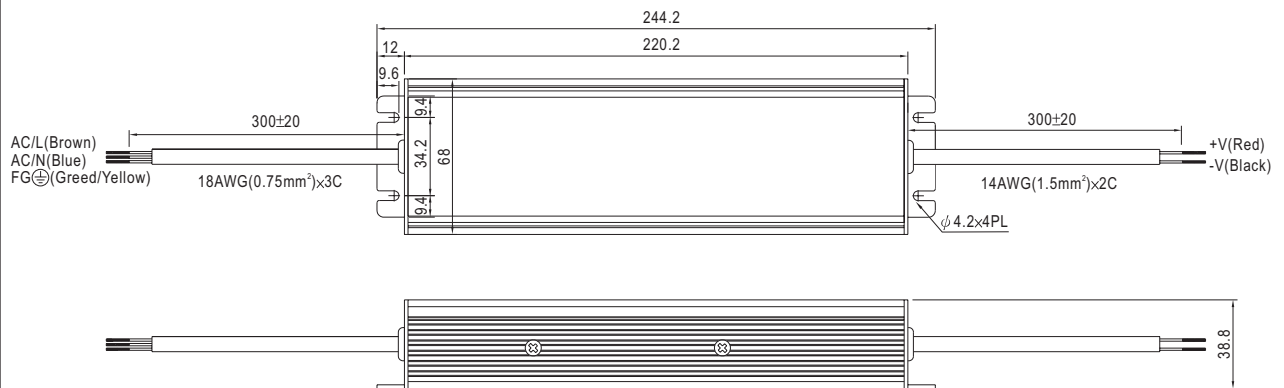
# power supply

## 192 W - 240,3 W

### Mechanical Specification

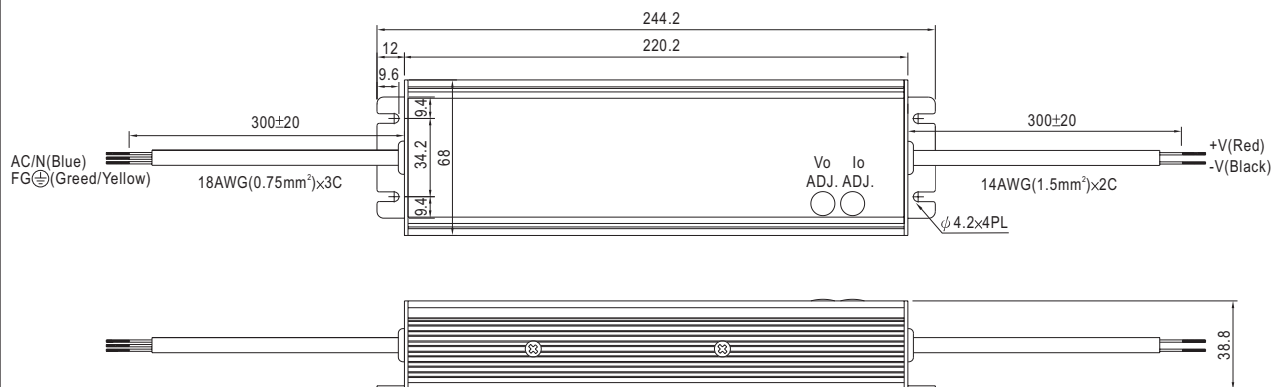
Case No.954C Unit:mm

Blank:(HLG-240)



※IP67 rated. Cable for I/O connection.

A Type:(HLG-240-A)

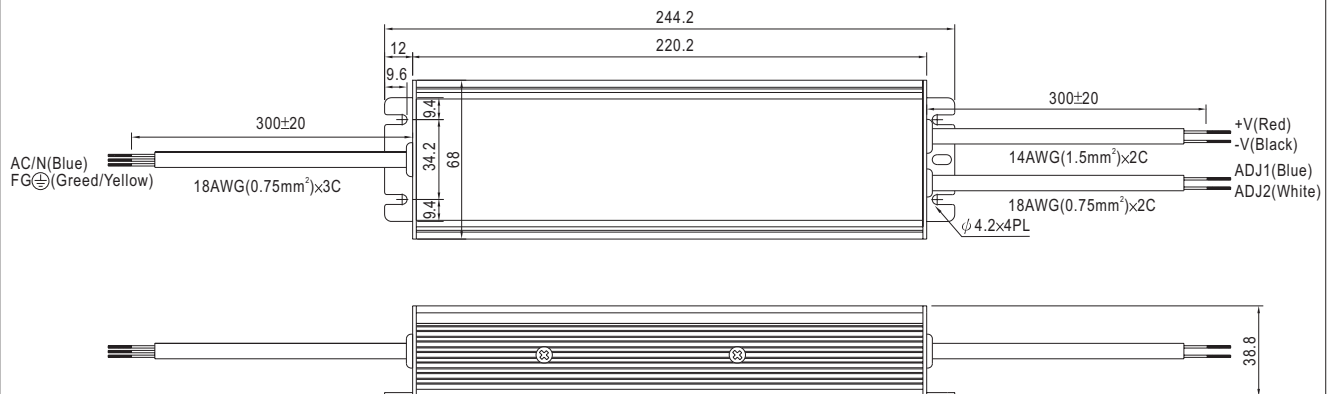


※ IP65 rated. Output voltage and constant current level can be adjusted with internal potential meter.  
(Can access by removing the rubber stopper on the case.)

# Schaltnetzteil 192 W - 240,3W

# power supply 192 W - 240,3 W

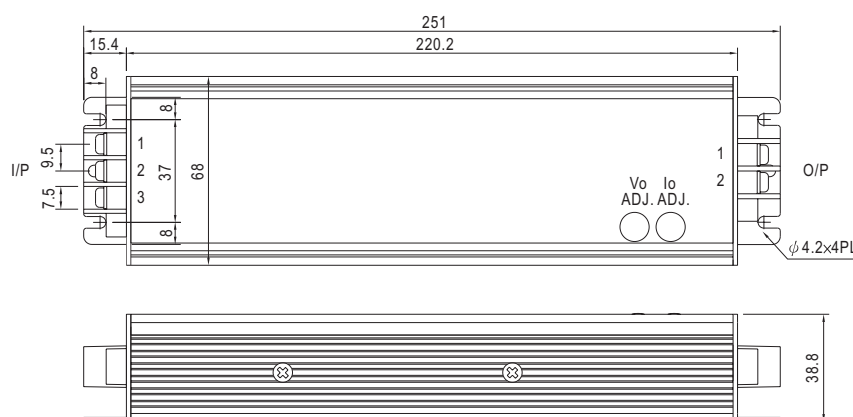
## B Type:(HLG-240-\_B)



- ※ IP67 rated. Output constant current level can be adjusted through **board** by connecting a resistor between ADJ1 and ADJ2.
- ※ Reference resistance value for output current adjustment (Typical)

Resistance	Percentage of rated current
Open	Slightly > 100%
4.7KΩ	100%
620Ω	75%
82Ω	50%
Short	Slightly < 50%

## C Type:(HLG-240-\_C)



### AC Input Terminal Pin No. Assignment

Pin No.	Assignment
1	FG $\perp$
2	AC/N
3	AC/L

### DC Output Terminal Pin No. Assignment

Pin No.	Assignment
1	+V
2	-V

- ※ Output voltage and constant current level can be adjusted through **internal** potential meter. (Can access by removing the rubber stopper on the case.)

AC/L(Brown)

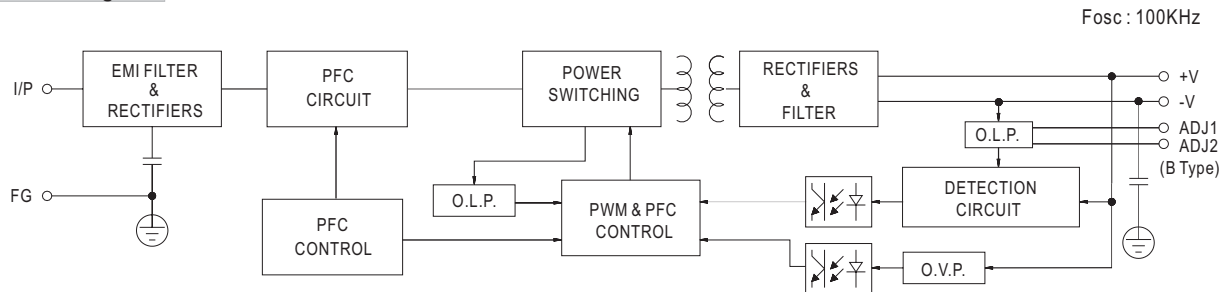
# Schaltnetzteil

## 192 W - 240,3W

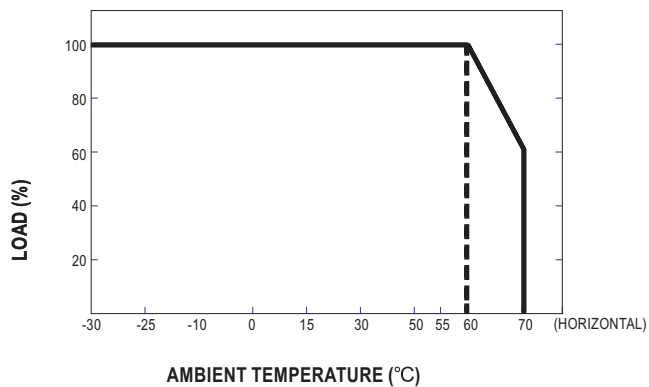
# power supply

## 192 W - 240,3 W

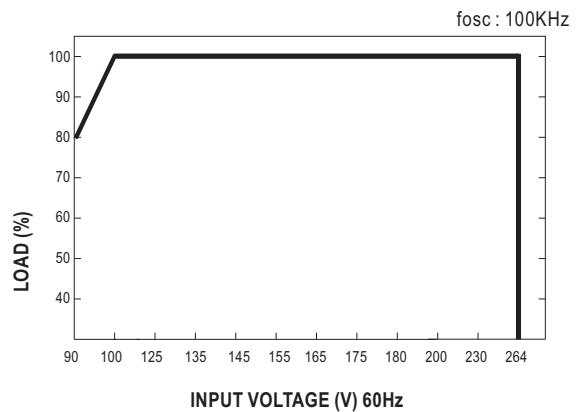
### ■ Block Diagram



### ■ Derating Curve



### ■ Static Characteristics



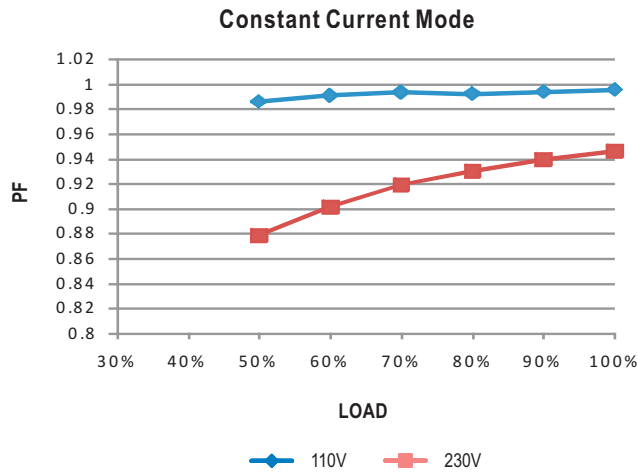
# Schaltnetzteil

## 192 W - 240,3W

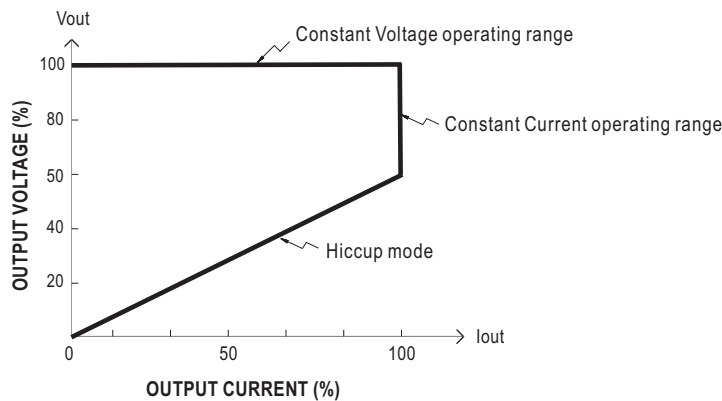
# power supply

## 192 W - 240,3 W

### Power Factor Characteristic



### OUTPUT VOLTAGE vs OUTPUT CURRENT OPERATING RANGE



### EFFICIENCY vs LOAD (Base on 48V Model)

